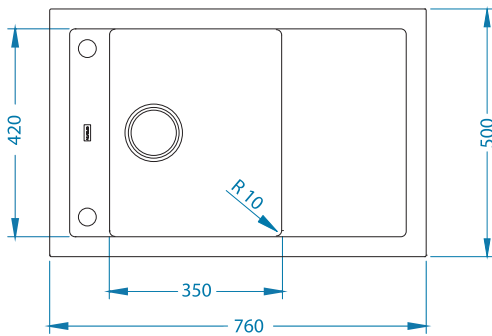
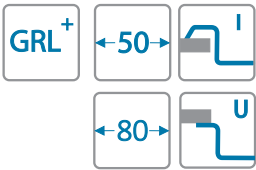


FORMIC 30



Size: 760 x 500 mm
 Bowl dimension: 350 x 420 x 200 mm
 Cabinet size: 500 mm - I
 800 mm - U

| Surface | Code | Type | Waste fi | 35mm | Installation | Packaging |
|----------------|---------|--------|----------|------|--------------|-----------|
| pearl G01M | 1108027 | single | 3 1/2" | 2x | I/U | carton |
| pebble G02M | 1108028 | single | 3 1/2" | 2x | I/U | carton |
| steel G04M | 1108030 | single | 3 1/2" | 2x | I/U | carton |
| chocolate G03M | 1108029 | single | 3 1/2" | 2x | I/U | carton |
| twilight G05M | 1108031 | single | 3 1/2" | 2x | I/U | carton |



- high-grade composite material Granital
- available in five colour shades with metallic lustre
- available for inset (I) and undermount (U) installation
- two prefabricated holes Ø 35mm for the installation of the mixer tap and the Pop-up button
- reversible model
- enclosed space-saving siphon – provides for more free space in the cabinet
- Pop-up system – enables remote water-draining management
- carefully processed sink surface is smooth – enables easy cleaning
- large waste outlet – Ø 90 mm
- high content of granite particles – provides sink rigidity
- high shock, scratch and temperature resistance
- material strength - ensures mixer tap stability
- high-quality cardboard packaging – enables safe transportation

ACCESSORIES

Included

